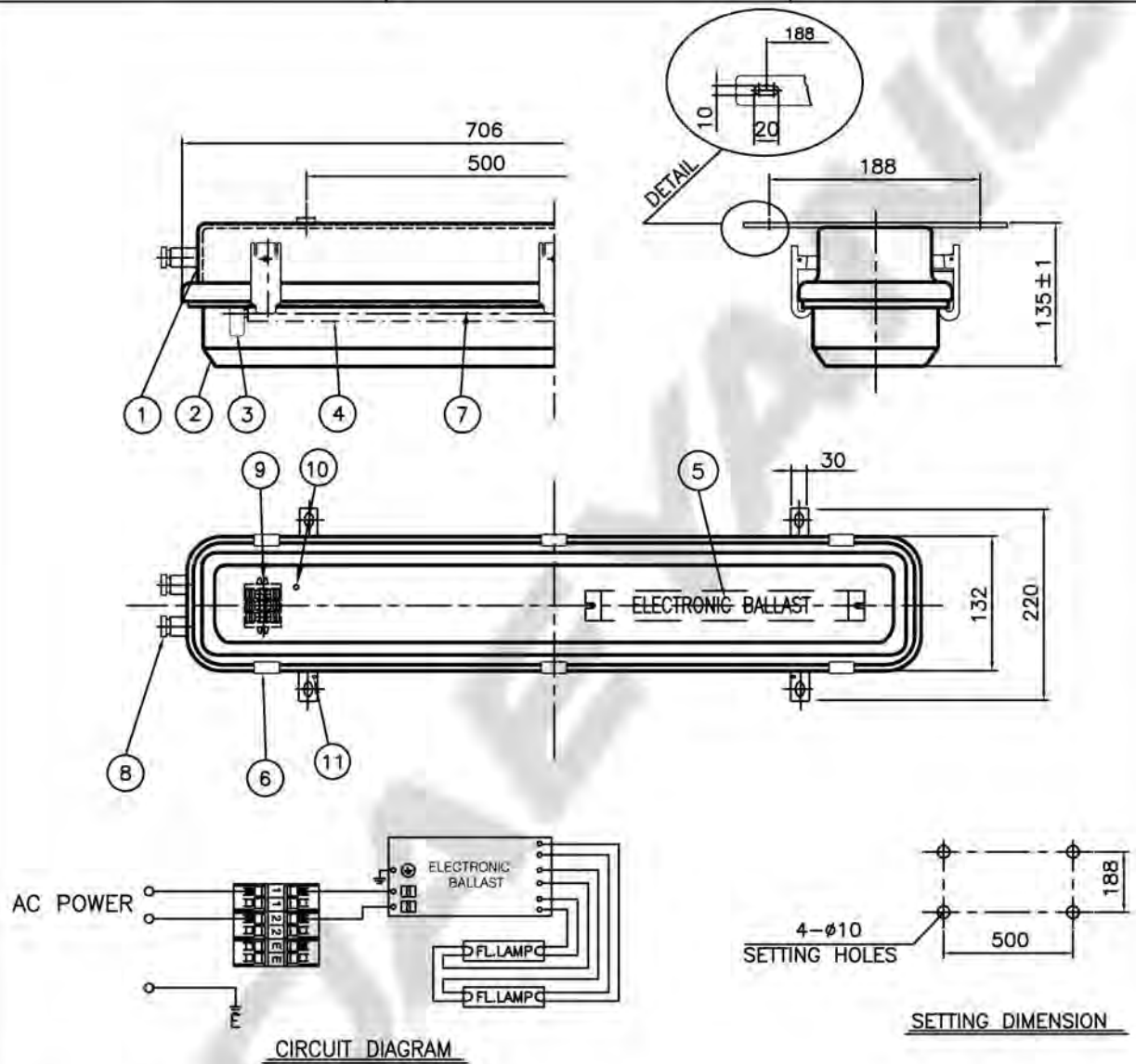


CAPACITY	SYMBOL/ SERIAL NO.	CIRCUIT DIAGRAM
AC 230V, 50Hz		
18W x 2		



11	OUTSIDE EARTH BLOT	STAINLESS STEEL304	1	M5					
10	INSIDE EARTH BOLT	STAINLESS STEEL304	1	M4	5	ELECTRONIC BALLAST	-	1	
9	TERMINAL BLOCK	NYLON	1	CLAMPING 3P (2.5SQ)	4	LAMP	-	2	
8	CABLE GLAND	BRASS	2	φ14~φ17.5	3	LAMP HOLDER	POLYCARBONATE	4	
7	REFLECTOR	STEEL	1		2	GLOBE	POLYCARBONATE	1	
6	LATCH	STAINLESS STEEL316L	6		1	BODY	STAINLESS STEEL316L	1	
NO	NAME OF PARTS	MATERIAL	Q'TY	REMARKS	NO	NAME OF PARTS	MATERIAL	Q'TY	REMARKS

APPROVED	O. J. KWON	UNIT	MM	TITLE; FLUORESCENT CEILING LIGHT (SURFACE TYPE) FOR MARINE USE
CHECKED		SCALE	N/S	
DRAWING	B. I. KIM	COLOR	N-9.3	
DATE	2019.03.03	IP	66/67	

DAEYANG	MODEL NO.	FL220WS-0235EIUWNM2Ww17h12	WEIGHT	3.4 Kg
	DWG NO.	L11450874	SHEET NO.	4